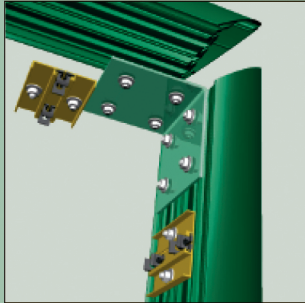
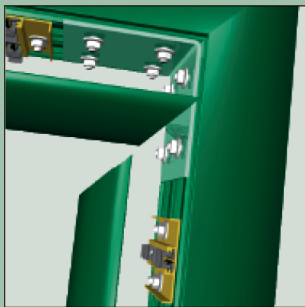


*Dimension*



1



2



3

